

# SPIDER 18.95

TRACKED AERIAL WORKING PLATFORMS

EN



**PL** / **TFORM**  
**B A S K E T**

RAISING THE STANDARD

*Made in Italy*

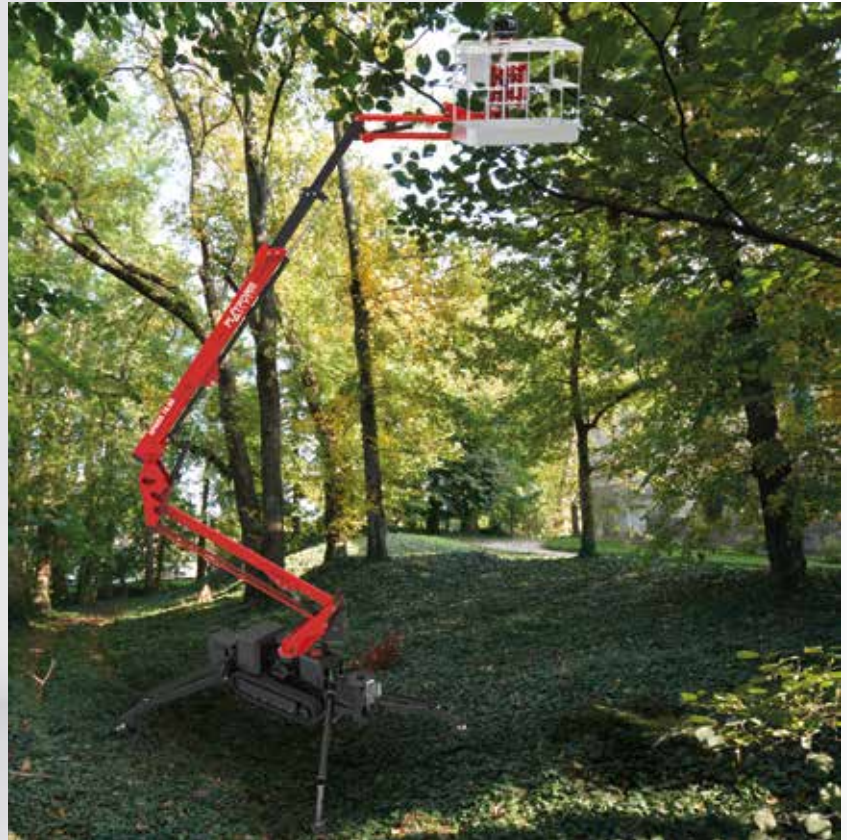


# SERIES SPIDER 18.95

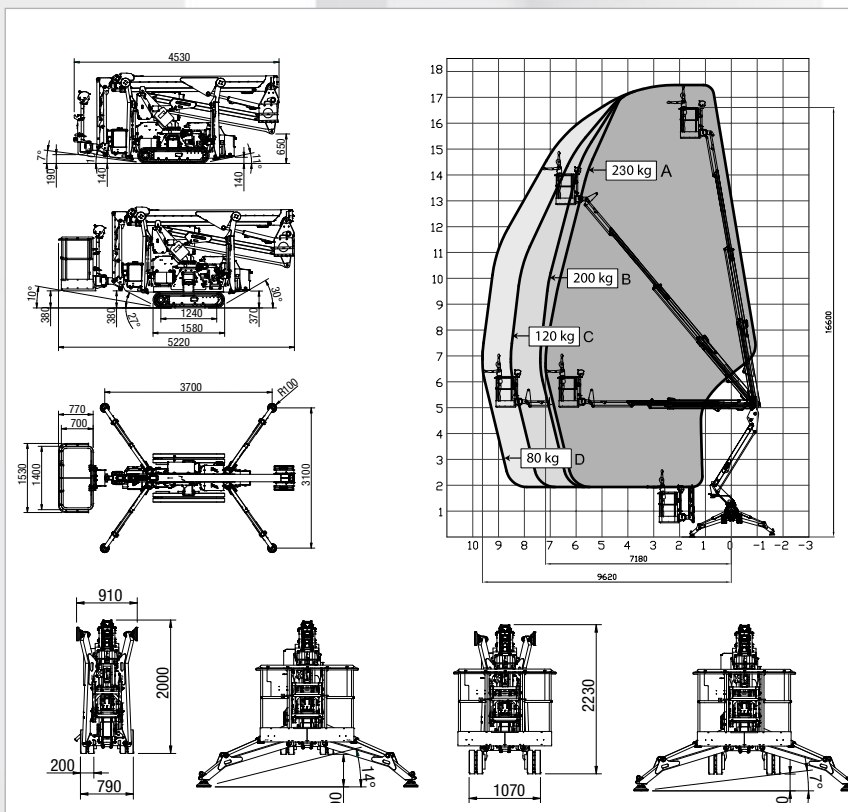
**An optimized outreach for our best seller**

- Side outreach of 9.6 m
- Available with Kubota Diesel engine and automatic accelerator or in the version endothermic engine + Lithium-Ion batteries or completely electric with batteries
- 230 kg of loading capacity in the basket
- Radio remote control with DISPLAY as standard equipment
- Versatility and modularity in the choice of accessories

- Diagnostic display in the ground panel and PBT (Platform Basket Telematics)
- Total protection of the chassis with steel covers.
- Supplied with air/water and 230Vac in the basket as standard equipment.
- Interchangeable hydraulic winch with 250 kg of loading capacity as optional accessory.



campbellbv.com 41821



TECHNICAL SPECIFICATIONS		STD	E	ED
Maximum working height	m		17,60	
Floor height	m		15,60	
Maximum side outreach (80kg)	m		9,60	
Maximum side outreach (140kg)	m		8,60	
Rotation angle of the tower	°		360	
Aluminium basket dimensions	m	1,50 x 0,70		
Basket rotation angle	°	90+90		
Maximum capacity of basket	Kg	230		
Length closed (basket disassembled)	m	5,00 (4,36)		
Minimum width closed	mm	780		
Minimum height closed	mm	1990		
Overall dimensions Stabilization	m	3,00 x 3,66		
Maximum horizontal inclination	degrees/%	16° (29%)		
Maximum side inclination	degrees/%	17° (31%)		
Maximum speed	Km/h	1,5/2,5	0,8/1,5	1,5/2,5
WEIGHTS		STD	E	ED
Weight in work conditions*	Kg	2.350*	2.500*	2650*
Ground pressure stowed machine	KN/m <sup>2</sup>	3,69		
Ground pressure when on stabilizers	KN/m <sup>2</sup>	2,52		
Max point load on one stabilizer	KN	17,50		
POWER		STD	E	ED
Honda iGX390 petrol engine	HP/rpm	13/3600	-	13/3600
Z482 Kubota diesel engine	HP/rpm	13/3200	-	13/3200
Electric Motor 230Vac/50Hz (110Vac/60Hz)	CV/KW	2,20/3 (1,50/2)	2,20/3 (1,50/2)	2,20/3 (1,50/2)
Electric Motor 24 Vdc	CV/KW	-	3,5/4,8	3,5/4,8
Traction battery capacity	24Vdc Lead Acid	-	210	210
	24Vdc Lithium Ion	-	300	300